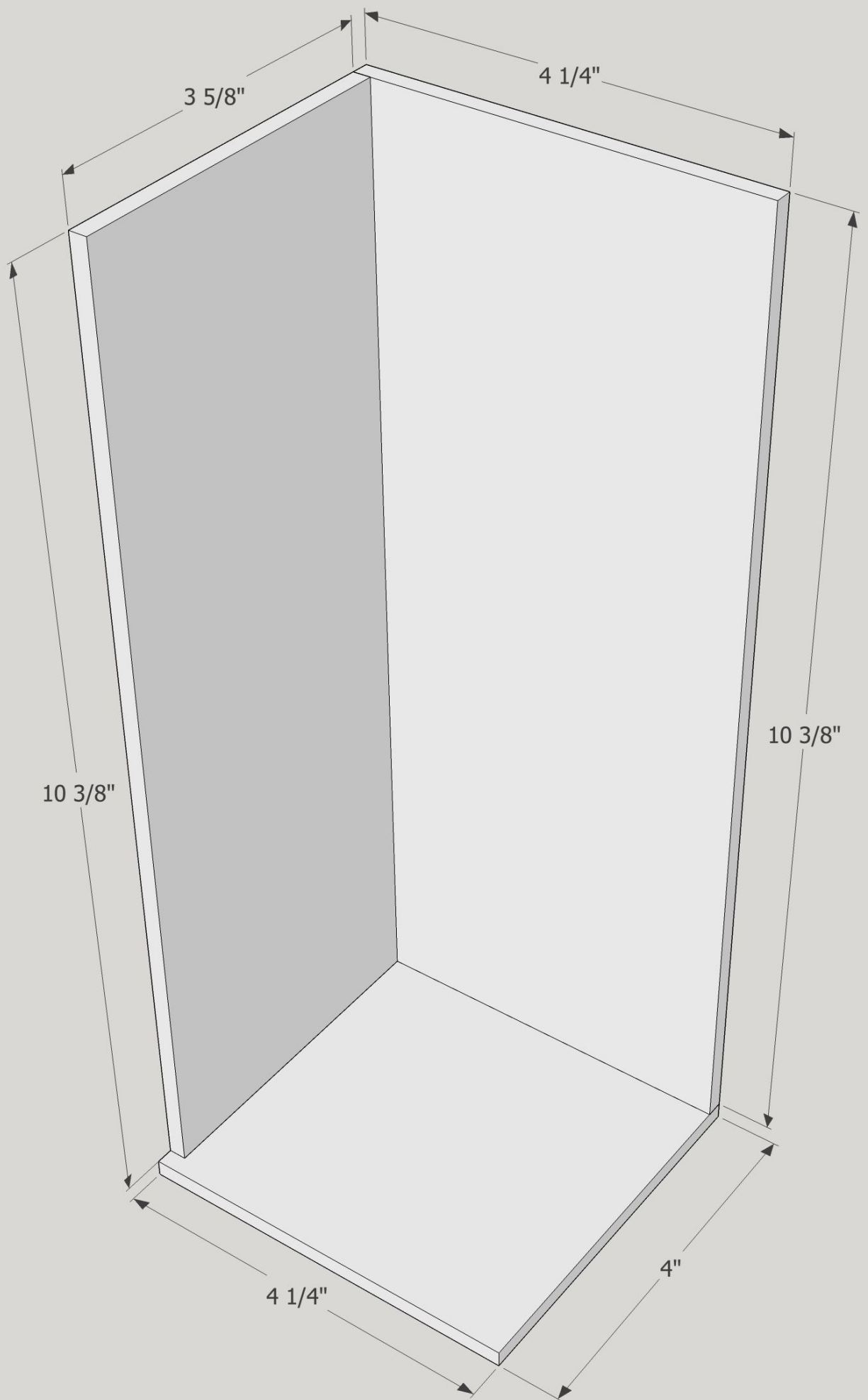
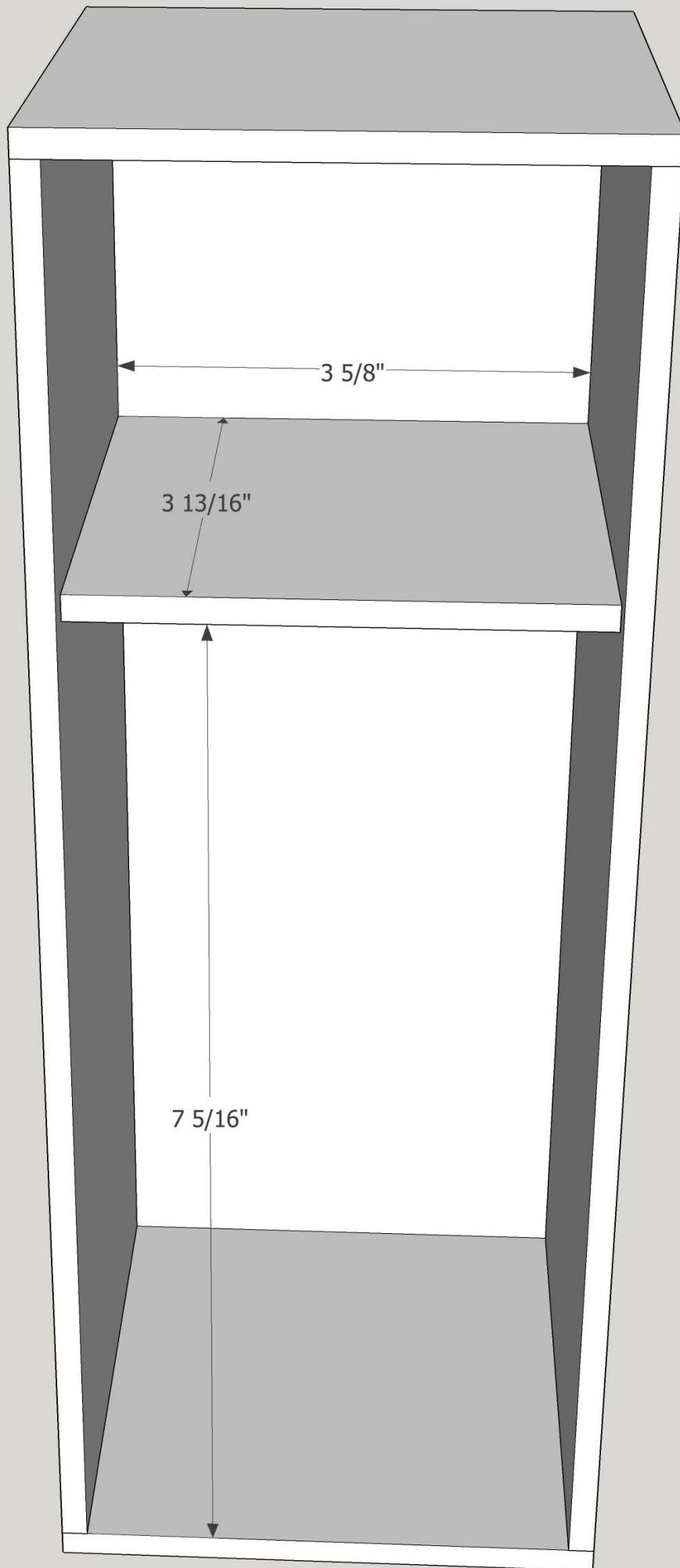
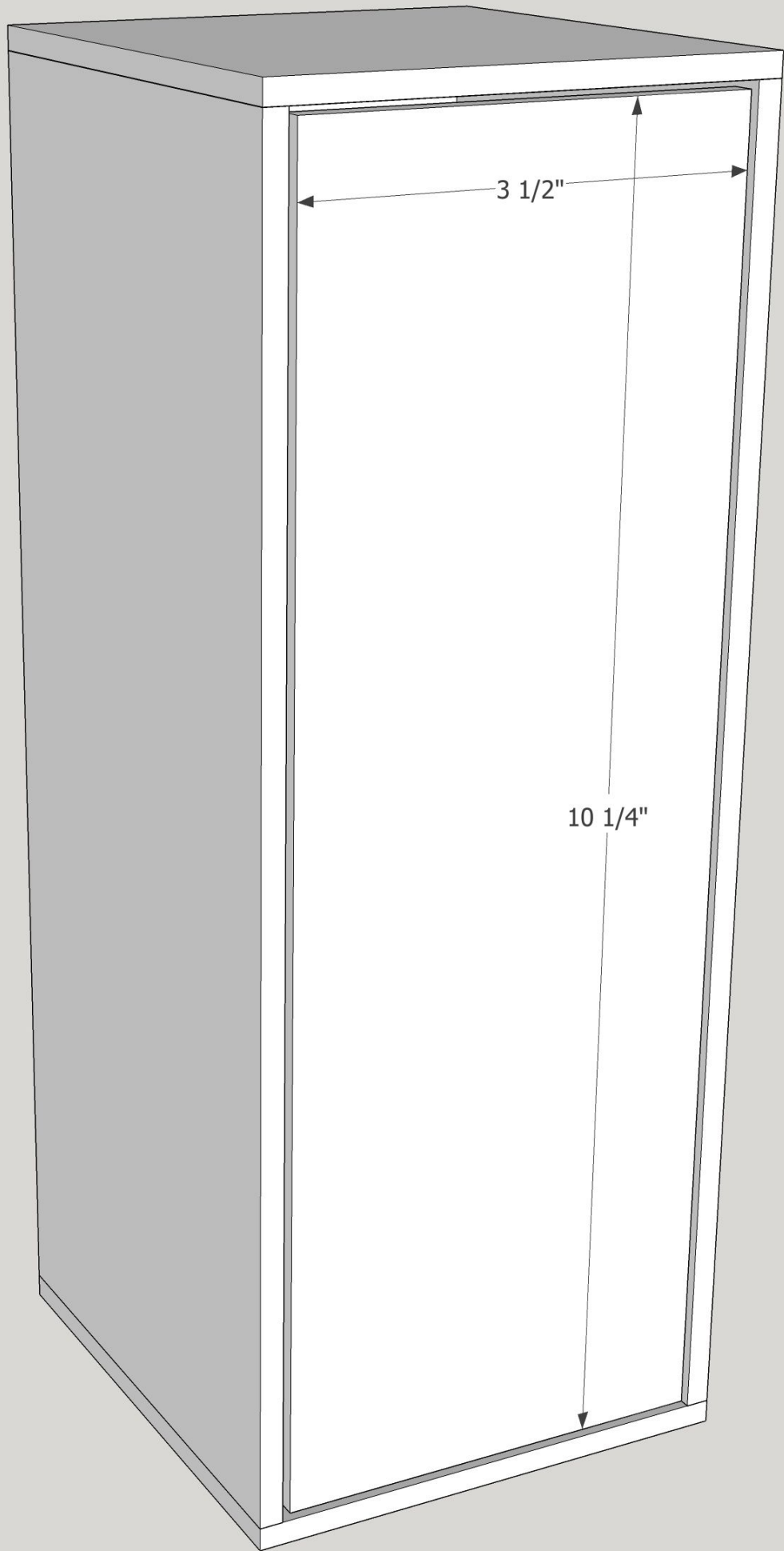


Cut List:

- 2 - 3/16" @ 4 1/4" x 4" - Top and Bottom
- 2 - 3/16" @ 10 3/8" x 4 1/4" - Sides
- 1 - 3/16" @ 10 3/8" x 3 5/8" - Back
- 1 - 3/16" @ 3 13/16" x 3 5/8" - Shelf
- 1 - 3/16" @ 10 1/4" x 3 1/2" - Door
- 4 - 1/2" x 1/2" @ 1 3/4" - Legs
- 2 - 1/2" x 1/2" @ 3 1/4" - Side leg supports
- 1 - 1/2" x 1/2" @ 3" - Back leg support







3 1/2"

10 1/4"

